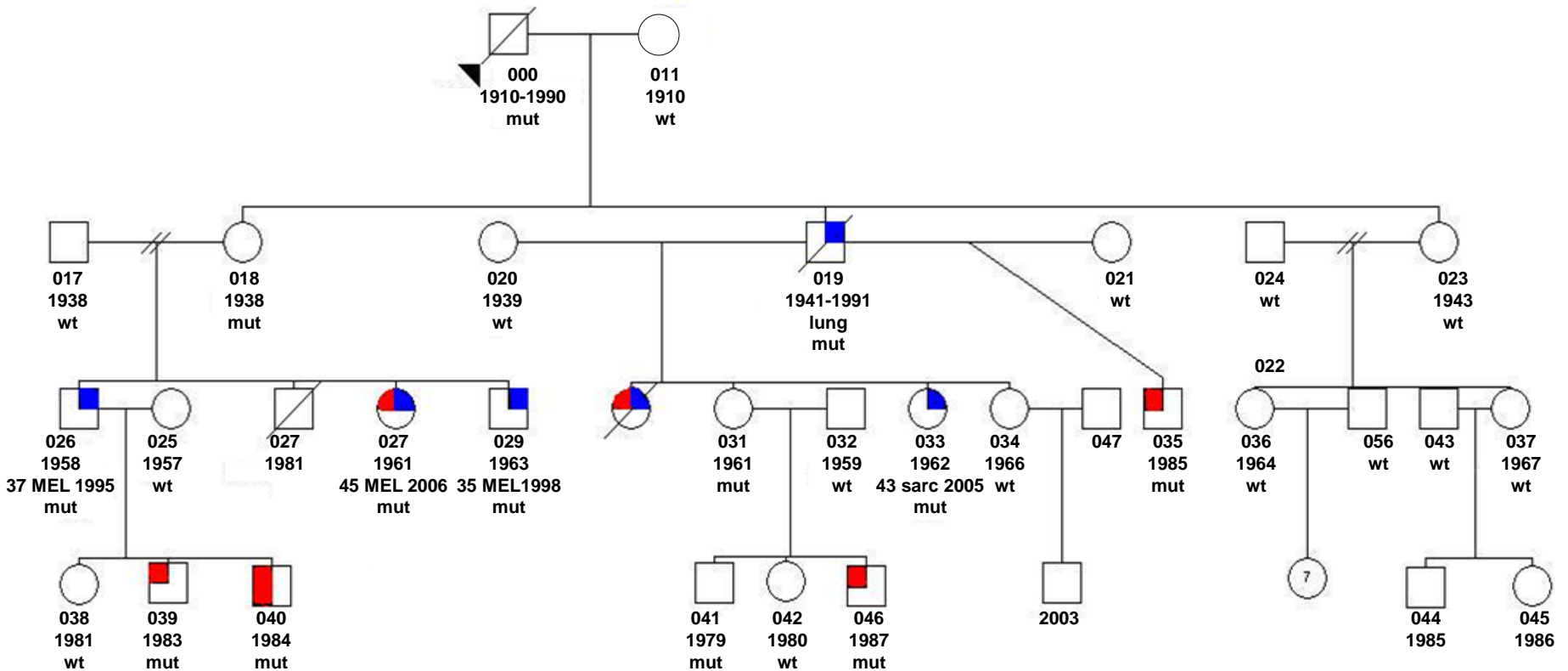


“Low Penetrance” Retinoblastoma Family: New, Non-ocular Cancers in RB1 Mutation Carriers 25 years after Ascertainment



Retinoblastoma Diagnosis at Ascertainment

- Unilateral Retinoblastoma
- Bilateral Retinoblastoma

New Cancers Over 25 Years

- Non Ocular Cancer
- Unaffected

200 ID#

1910-1990 Year of Birth-Death

45 MEL 2006

45 Non Ocular Cancer Diagnosis

MEL= Melanoma

Sarc= Sarcoma

2006 Year of Diagnosis Non-ocular Cancer

mut Mutation RB1